

TREQ-M4

Mobile Data Terminal

The Compact and Powerful Mobile Data Terminal



Windows® Embedded CE 6.0 CE

- 480x272 TFT color WQVGA LCD, 600 nit brightness, 109 mm (4.3") diagonal
- Analog resistive touch screen
- 4-key lighted elastomeric keypad
- EIA-232/422 Serial port – software-configurable
- Two USB full-speed host ports
- Third USB port in cable (optional)
- 10/100Base-T wired Ethernet or third USB full-speed host port in cable (optional)
- Bluetooth® (optional)
- 6 - 32 VDC input power and SAE J1455 compliant power supply
- Windows® Embedded CE 6.0 R2 Core or Professional (optional)
- 2 or 4 Gbytes non-volatile memory, 128 Mbytes RAM
- -20 to 70 °C operating temperature
- RoHS compliant
- CE Certified
- Internal speaker
- Real-time clock
- Magnetic card reader (optional)
- Customizable logo and keypad (optional)

TREQ-M4 - The New Shape of Rugged

The TREQ®-M4 is loaded with the features integrators need for in-vehicle communication and control. The rugged design and compact housing make the TREQ-M4 ideal for vehicle-mount applications.

Its compact size does not mean compact options or performance. The TREQ-M4 has a robust XScale™ Processor and Windows® Embedded CE 6.0 allowing fast application design and integration with your system requirements, including custom application development and third-party software and hardware. The TREQ-M4 features a 109 mm (4.3") color daylight readable display with touch screen, serial and USB interfaces. Optional

features include Bluetooth for convenient wireless connectivity and a magnetic card reader for rapid fare or data collection.

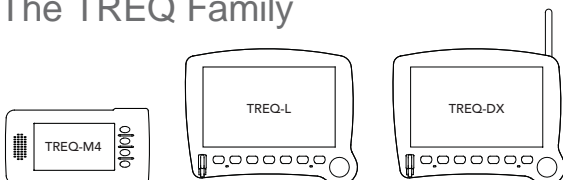
For over twenty-five years, QSI has brought its innovative design and manufacturing expertise to customers worldwide. The TREQ family of mobile data terminals exceeds customers' requirements for ruggedness and reliability.

It's time for you to experience the new shape of rugged. Contact QSI today. QSI Corporation is located at 2212 South West Temple #50, Salt Lake City, Utah 84115.

TREQ-M4 Specifications

Feature	Detail	Description	
Display	Resolution	480x272 TFT color WQVGA LCD	
	Color depth	65,536 colors	
	Size	109 mm (4.3") diagonal	
	Brightness	600 nits	
	Lighting	White LED	
Touch screen	Type	Analog resistive	
Keypad	Number of keys	Four (independently programmable)	
	Construction	Laser etched elastomeric with tactile feedback	
	Lighting	Green LED	
	Legend customization (optional)	Custom laser etching	
Interface	USB	Two 2.0 full speed host ports	
	Serial port	Two ports: One EIA-232/422, software configurable, one EIA-232	
	Baud rates	9600, 19200, 38400, 57600, 115200, 230000, 460000, 921000, 1.8 M, 3.6 M	
	Bluetooth® (optional)	One class 2, v2.0 compliant	
	Supported Bluetooth Profiles	GAP, GOEP, SPP, DUN, FTP, HID, HFP, HSP, HID, LAP, OPP, PAN	
	Ethernet/USB (optional)	10/100Base-T wired Ethernet or third USB host port	
	Cable	2 meter integral cable with strain relief	
Memory	Flash	2 or 4 Gbytes	
	RAM	128 Mbytes SDRAM	
Audio	Speaker	1 W 8 Ω speaker, 78 dB nominal at 1 m, 1 W input power	
	External Speaker Jack	3.5 mm Tip Ring Sleeve (TRS) jack, mono output	
	Audio decoder	WinCE includes support for decoding .wav, .mp3 and other formats	
Housing	Material	Blended polycarbonate and polyester resin	
	Mounting	48.6 mm (mini RAM mount)	
	Size	WxHxD 167x90x37 mm	
	Mass	0.46 kg	
Environmental	RoHS	Compliant	
	Temperature	Operating	-20 to 70 °C
		Storage	-40 to 85 °C
	Humidity	0 to 95%, non-condensing	
	Vibration	10 to 1500 Hz, 4 g, 0.5 octave/minute	
	Shock	40 g, 11 ms, any axis	
	Certifications	FCC Part 15, Class A	
CE Certified	EN60950-1, EN55022, EN55024		
Processor	Type	Marvell® XScale™ PXA300, 624 MHz (ARM)	
Realtime clock	Standard	Standard, battery-backed, 1 second resolution	
Power	Standard	6 to 32 VDC input voltage range	
	Power supply	SAE J1455 compliant	
	Power Consumption	3-5 Watts (400 mA @ 12 VDC)	
Software	Terminal operating system	Windows® Embedded CE 6.0 R2 Core or Professional	
Other	Card reader (optional)	Magnetic card reader (three tracks)	

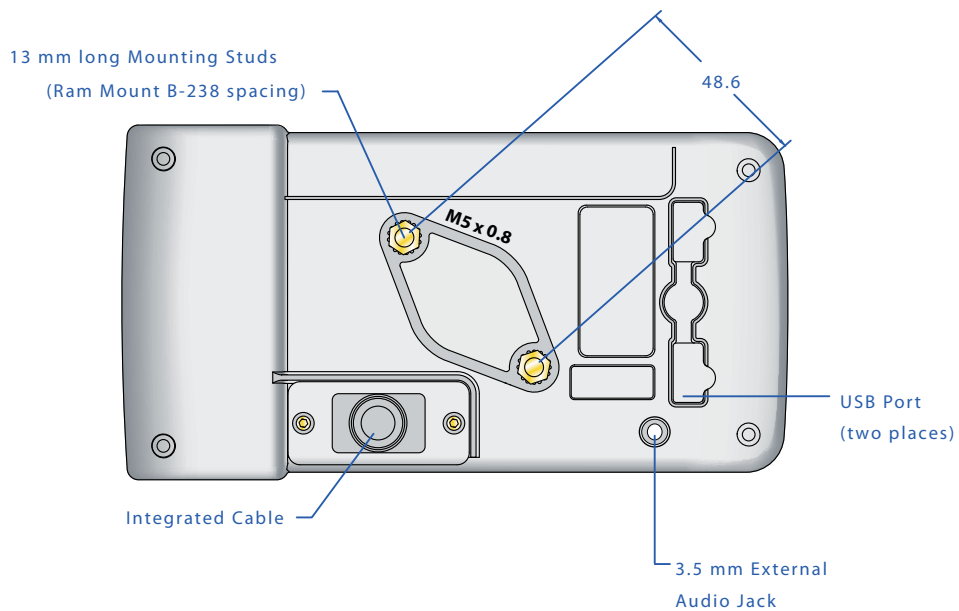
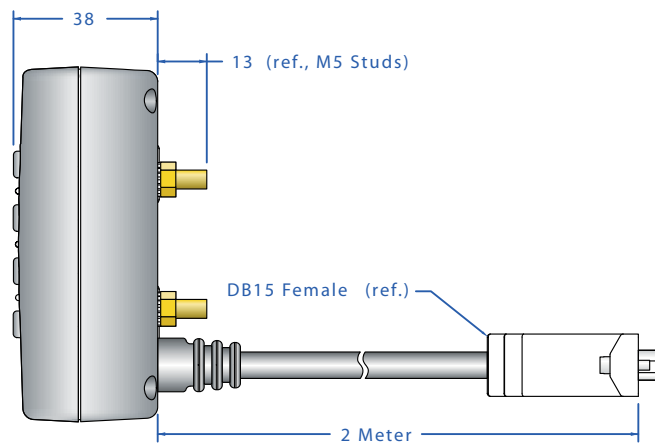
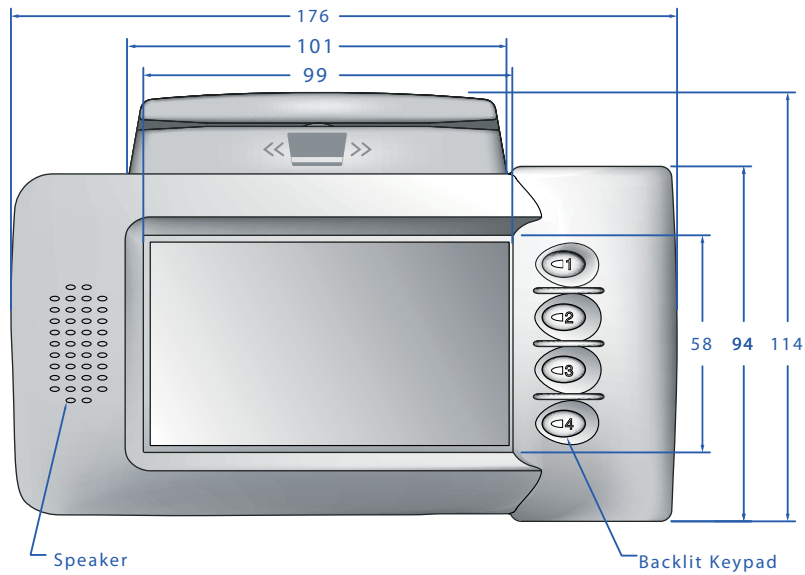
The TREQ Family



TREQ[®]
Mobile Data Terminals

TREQ-M4 Dimensions (mm)

Front view shown with optional card reader



© 2009 QSI Corporation. QSI reserves the right to modify this document and/or the product(s) it describes without notice. In no event shall QSI be liable for incidental or consequential damages, or for the infringement of any patent rights or third party rights, due to the use of its products.